

Dispensing Valve DDV-300 Double Dispensing Valve

Data Sheet

Features

Multi-purpose air pressure operated valve with a dedicated poppet type valve for a wide range of viscosity. Mixing ratio 1:1 only.

Applicable Material

Low~high viscosity material.



Dimension

62 x 37 x 157.2 mm (2.44 x 1.46 x 6.19 in)

Weight

690g

Driving Air Pressure

> 0.4 MPa (58.02 psi)

Material Feeding Pressure

Max. 0.6 MPa (87.02 psi)

Flux (KV Value)

2.9L/min

Driving Part Material

Aluminum

Wetted Part Material

Aluminum

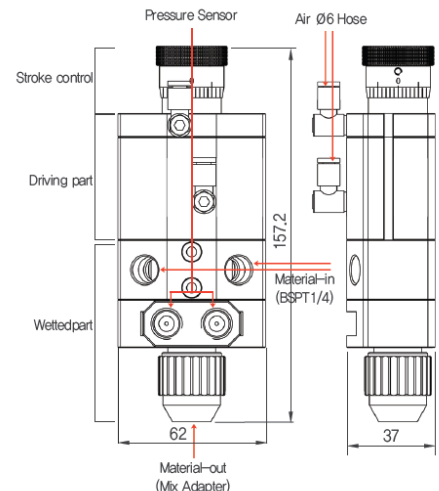


TAEHA's Pneumatic metering valves are widely used in various industries to provide reliable and accurate dispensing solutions. From low-viscosity materials to high-viscosity materials that are difficult to dispense, we have a lineup of valves that can dispense accurately and consistently.

Excellent product quality control by owning a dedicated facility that processes and produces valve precision parts.

Benefits:

- Fast open and close.
- Suitable with numerous materials.
- Can be used in automation with very low payload capacity.



Scan the QR Code to see how it works.